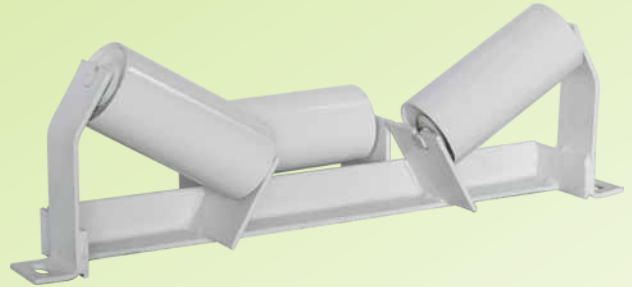
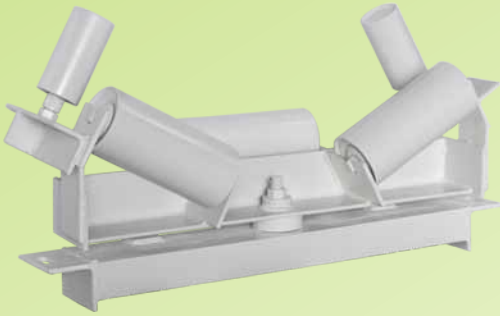


**OPEL**



# Conveyor Components

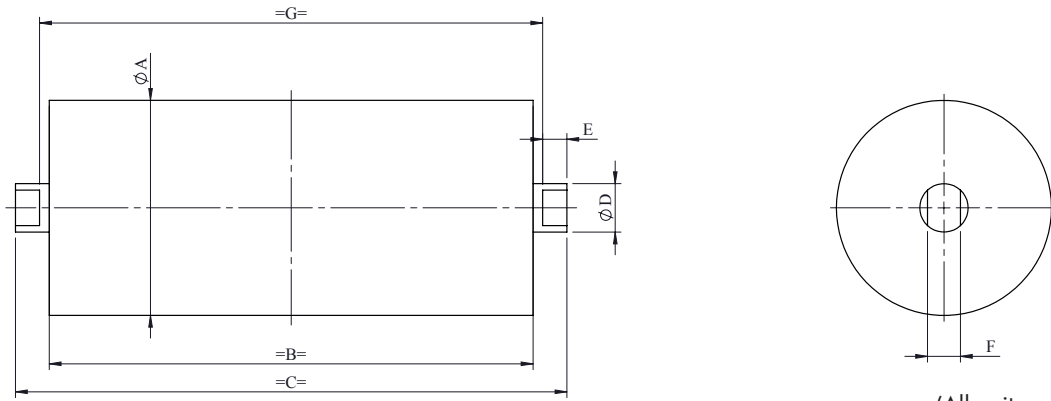
Designed for  
conveying applications  
in Aggregates,  
Mining, Cement,  
Power & Steel industries

**Idlers**

**Pulleys**

**Brackets**

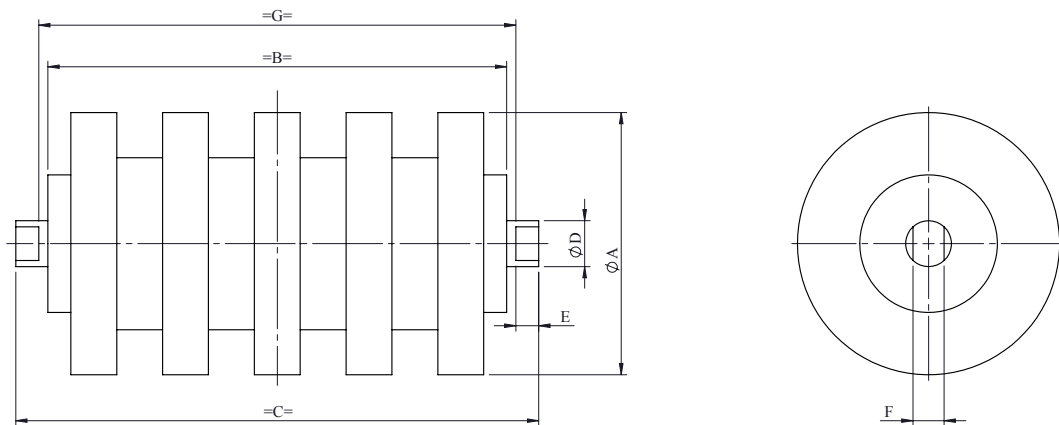
# Idlers



(All units are in mm)

	Belt Width	A	B	C	D	E	F	G
Carrying Idlers	500	88.9	200	228	20	10	14	208
	650	88.9	250	278	20	10	14	258
	800	114.3	315	343	20	10	14	323
	1000	114.3	380	408	20	10	14	388
	1200	114.3	465	497	25	12	18	473
	1400	114.3	530	562	25	12	18	538
	1600	114.3	600	632	25	12	18	608
Return Idlers	500	88.9	575	625	20	20	14	585
	650	88.9	725	775	20	20	14	735
	800	88.9	905	955	20	20	14	915
	1000	88.9	1105	1155	20	20	14	1115
	1200	89	1400	1448	20	14	18	1408
	1400	114.3	1600	1648	25	20	18	1608
	1600	114.3	1800	1848	25	20	18	1808

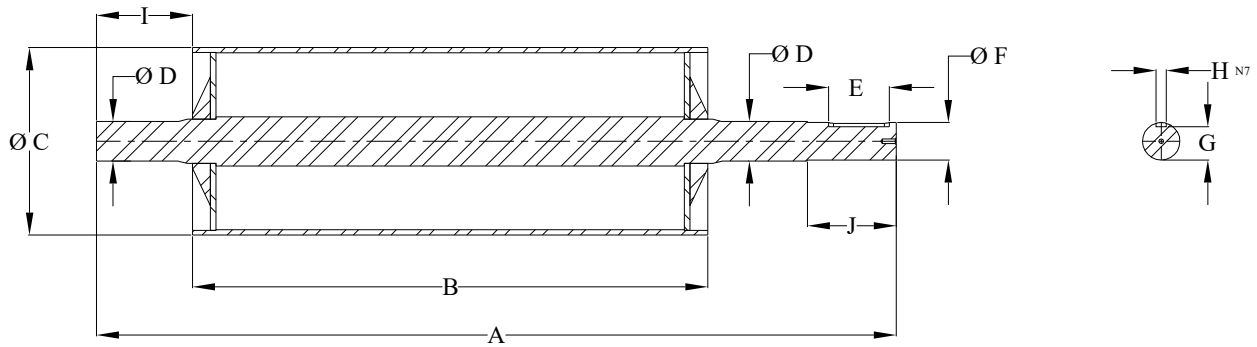
# Impact Idlers



(All units are in mm)

	Belt Width	A	B	C	D	E	F	G
Impact Idlers	500	114	200	228	20	10	14	208
	650	114	250	278	20	10	14	258
	800	114	315	343	20	10	14	323
	1000	114	380	408	20	10	14	388
	1200	114	465	497	25	12	18	473
	1400	133	530	562	25	12	18	538
	1600	133	600	343	25	12	18	608

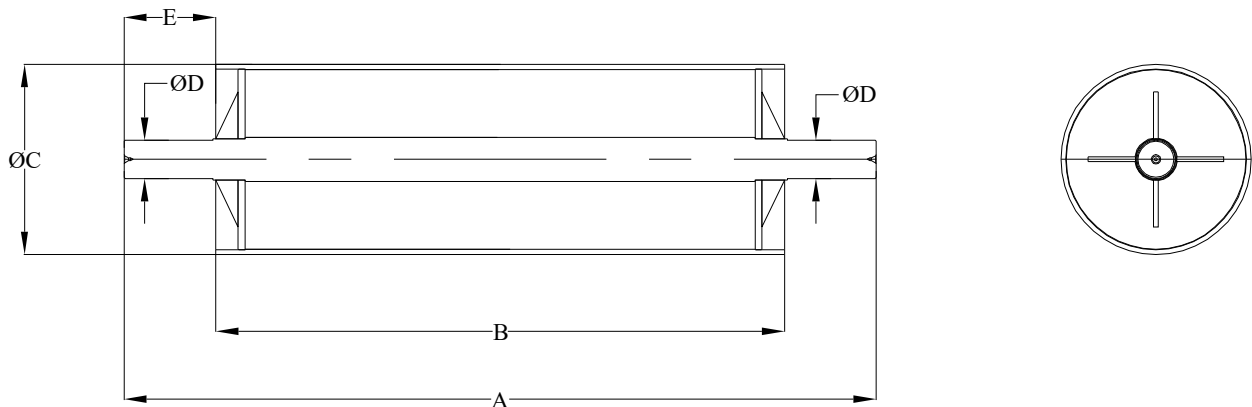
## Head Pulleys



(All units are in mm)

Head Pulleys / Drums	Belt Width	A	B	C	D	F	G	I	J
	500	1105	600	340	55	50	43	180	135
	650	1119	750	340	55	50	43	185	155
	800	1637	900	340	65	60	53	180	177
	1000	1653	1100	420	65	60	53	187.5	170
	1200	1953	1400	420	65	60	53	191	171
	1400	2150	1600	520	65	60	53	185	171
	1600	2362	1800	520	65	60	53	197	171

## Tail Pulleys



(All units are in mm)

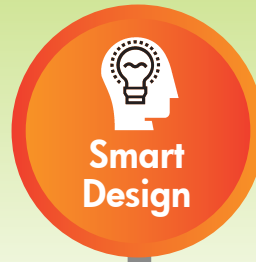
Tail Pulleys / Drums	Belt Width	A	B	C	D	E
	500	862	600	270	55	131
	650	1014	750	270	55	132
	800	1205	900	270	55	152.5
	1000	1384	1100	320	65	142
	1200	1712	1400	320	65	156
	1400	1884	1600	400	65	142
	1600	2050	1800	400	65	125

Note: Any other model and size can be supplied based on customer requirement.

Performs effortlessly under Heavy Loading



**Sturdy Construction**



**Smart Design**

- Expels the Dirt & Water Centrifugally
- Ensures Dust Protection and longer Bearing Life

Reduces Belt Drag & Energy Consumption up to 15%



**Energy Saving**



**Durability**

- Powder coating Protects from Extreme Weather conditions
- Extends Idler life

## OPEL Advantage



**O P E L**

### Oriental Plants & Equipments Pvt Ltd

SF.No. 663, Ravathur Main Road  
Trichy Road, Coimbatore – 641 103  
Tamilnadu, India.

Phone : +91 - 422 - 2687 396 / 2688 396 / 6586 396  
Email : sales@opelequip.com. Web: www.opelequip.com